

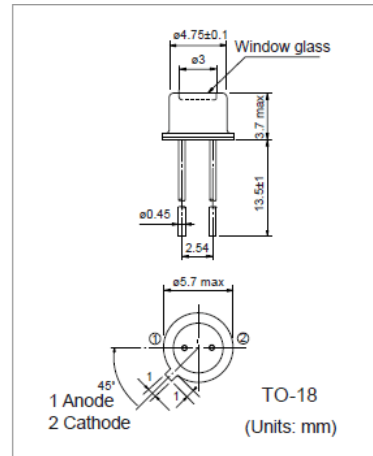
Silicon Photodiodes KPD1203H

■ Features

- Hermetic seal type for high reliability uses
- Wide operating temperature
- Glass window

■ Applications

- Optical switches
- Optical encoders
- Pulse detector
- Sensors and industrial controls



■ Specifications

▼ Absolute Maximum Ratings

Parameter	Symbol	Value	Unit	Conditions
Reverse voltage	V_R	15	V	
Reverse Current	I_R	0.5	mA	
Forward current	I_F	10	mA	
Operating temperature	T_{opr}	-40 to +125		Avoid dew condensation
Storage temperature	T_{stg}	-55 to +150		Avoid dew condensation

▼ Electrical and Optical characteristics

Parameter	Symbol	Value			Unit	Conditions
		Min.	Typ.	Max		
Sensitive size	S		0.92x0.92		mm^2	
Operating voltage	V_{opr}			5	V	
Sensitive wavelength		400	880(p)	1100	nm	p=Peak wavelength
Open circuit voltage	V_{op}		400		mV	1000lx @2856k
Short Circuit Current	I_{sh}		8		μA	1000lx @2856k
Dark current	I_D			1	nA	$V_R=5\text{V}$
Terminal capacitance	C_t		50		pF	$V_R=0\text{V}$, $f=1\text{MHz}$
Half angle	2		100		deg	

