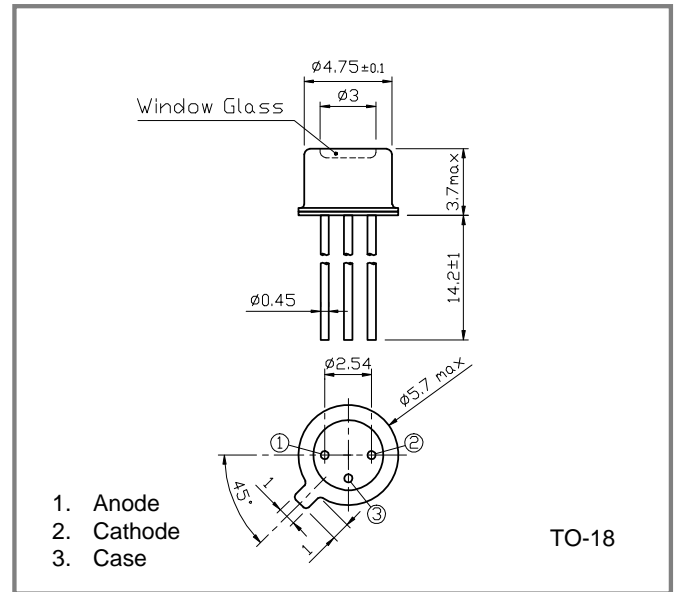


Features

- Cut-off wavelength: 2200nm
- Much higher responsivity and speed than conventional near infrared (NIR) detectors
- Operable with the photovoltaic mode under zero bias or low reverse bias mode

Applications

- Gas analyzer
- Water content analyzer
- Hydrocarbon sensor
- NIR spectroscopy
- Radiometry
- Power meter

Dimensions (unit: mm)**Absolute Maximum Ratings**

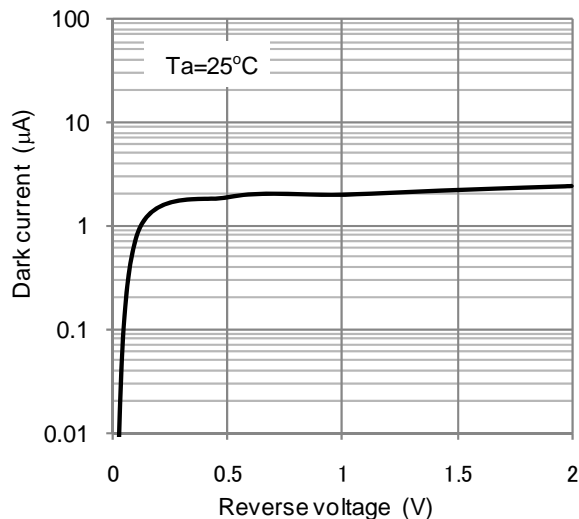
Parameter	Symbol	Value	Unit	Note
Forward current	I_F	10	mA	
Reverse voltage	V_R	2	V	
Reverse current	I_R	2	mA	
Operating temperature	T_{opr}	-40 to +85	°C	Avoid dew condensation
Storage temperature	T_{stg}	-55 to +125	°C	Avoid dew condensation
Soldering temperature	T_{sol}	260	°C	5s max

Electrical and Optical Characteristics (Ta=25 °C unless otherwise noted)

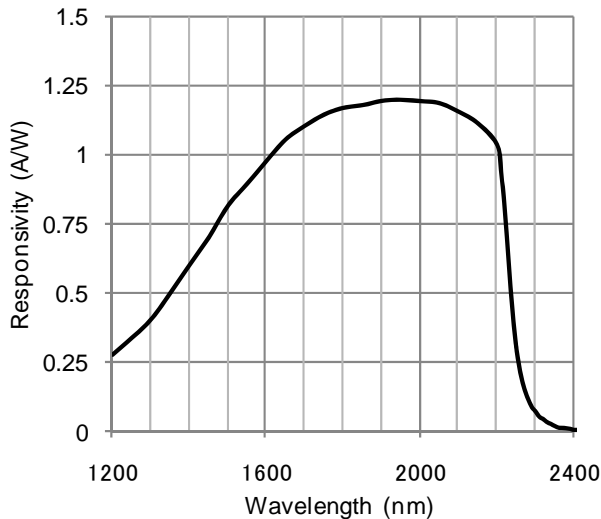
Parameter	Symbol	Min.	Typ.	Max	Unit	Test Conditions
Active diameter	D	300			μm	
Sensitive wavelength range	λ	1200-2300			nm	
Peak sensitive wavelength	λ_p	-	1950	-	nm	
Responsivity	R	-	1.2	-	A/W	$V_R=0V, \lambda=1950nm$
Dark current	I_D	-	2	20	μA	$V_R=1V$
Bandwidth	BW	-	0.1	-	GHz	$R_L=50\Omega, V_R=1V$
Terminal capacitance	C_t	-	13	-	pF	$V_R=1V, f=1MHz$

Specifications are subject to change without notice.

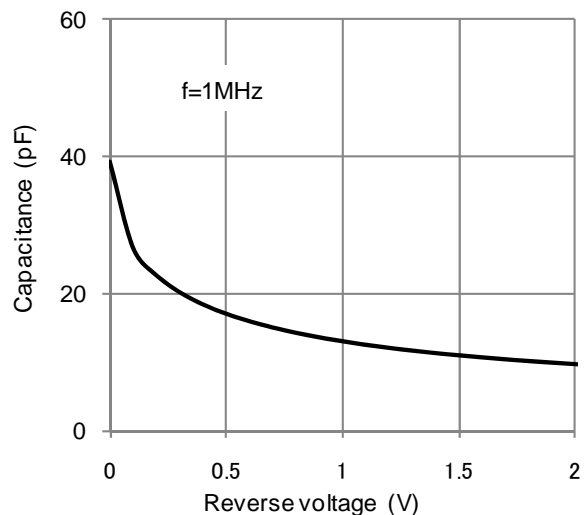
I-V Characteristics



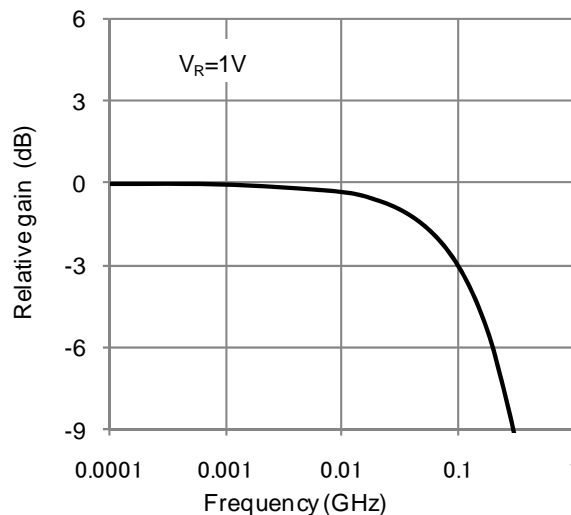
Spectral Responsivity



C-V Characteristics



Frequency Response



Specifications are subject to change without notice.

Contacts:

www.kyosemi.co.jp / info@kyosemi.co.jp

Kansai Sales Office: 949-2 Ebisu-cho, Fushimi-ku, Kyoto, 612-8201 Japan Tel: +81 75 605 7311 Fax: +81 75 605 7312 (Overseas Sales Dept.)

Tokyo Sales Office: 24th Sky Building, 2nd Floor, 1-34-3 Shinjuku, Shinjuku-ku, Tokyo 160-0022 Japan Tel: +81 3 5312 5360 Fax: +81 3 5312 5367

Eniwa Operation: 385-31 Toiso, Eniwa-shi, Hokkaido 061-1405 Japan Tel: +81 123 34 3111 Fax: +81 123 34 2110

Kyosemi Opto America Corp: 3003 Bunker Hill Lane, Suite 102, Santa Clara, CA 95054 USA Tel: +1 408 492 1486 Fax: +1 408 492 9843