

InGaAs Photodiodes KPDE300

■ Features

- Large active diameter of 3.00mm for KPDE300
- Low voltage operation
- Custom designed large area photodiodes are also available

■ Applications

- Laser power monitor
- Laser diode and LED aging equipment
- Near infrared sensing system
- Power meters

■ Specifications

▼ Absolute Maximum Ratings

Parameter	Symbol	Value	Unit	Conditions
Reverse voltage	V_R	2	V	
Reverse Current	I_R	2	mA	
Forward current	I_F	2	mA	
Operating temperature	T_{opr}	-20 to +70		Avoid dew condensation
Storage temperature	T_{stg}	-20 to +80		Avoid dew condensation

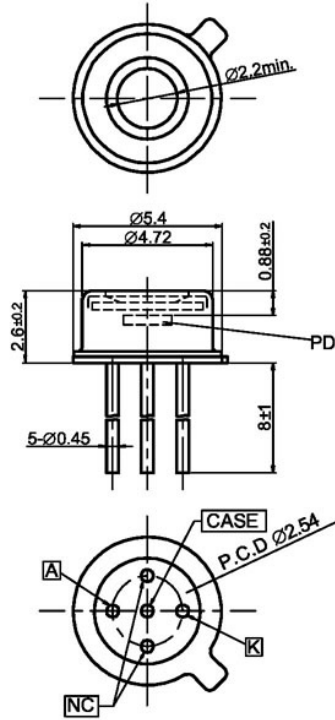
▼ Electrical and Optical characteristics

Parameter	Symbol	Value			Unit	Conditions
		Min.	Typ.	Max		
Sensitive size	D		3000		μm	
Responsivity	R	0.8 0.9	0.9 1.0		A/W	$\lambda=1310\text{nm}, V_R=5\text{V}$ $\lambda=1550\text{nm}, V_R=5\text{V}$
Dark current	I_D		1		μA	$V_R=1\text{V}$
Total capacitance	C_t		1		nF	$V_R=1\text{V}, f=1\text{MHz}$

Drawings

Dimensions (unit: mm)

KPDE150-H45



KPDE300-H53

