

## Large Area InGaAs Photodiode

### Features

- large sensitive area
- Low voltage operation
- Custom designed large area photodiode is also available

### Applications

- Laser power monitor
- Laser diode and LED aging equipment
- Near infrared sensing system
- Power meters

### Specifications

#### Absolute Maximum Ratings

Parameter	Symbol	Value	Unit
Reverse voltage	$V_R$	2	V
Reverse Current	$I_R$	2	mA
Forward current	$I_F$	2	mA
Operating temperature	$T_{opr}$	-20 to +70	°C
Storage temperature	$T_{stg}$	-20 to +80	°C

#### Electrical and Optical characteristics (Ta=25°C unless otherwise noted)

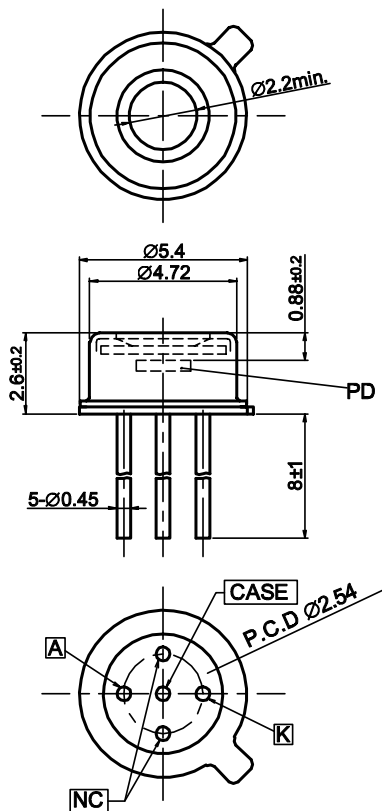
Parameter	Symbol	Min.	Typ.	Max.	Unit	Conditions
Active diameter	D	1.5			mm	KPDE150
		3.0			mm	KPDE300
Responsivity	R	0.8	0.9		A/W	$\lambda = 1310\text{nm}$ , $V_R = 1\text{V}$
		0.9	1.0			$\lambda = 1550\text{nm}$ , $V_R = 1\text{V}$
Dark current	$I_D$		1		$\mu\text{A}$	KPDE150, $V_R = 1\text{V}$
			1			KPDE300, $V_R = 1\text{V}$
Total capacitance	$C_t$		0.15		nF	KPDE150, $V_R = 1\text{V}$ , $f = 1\text{MHz}$
			1			KPDE300, $V_R = 1\text{V}$ , $f = 1\text{MHz}$

Specifications are subject to change without notice.

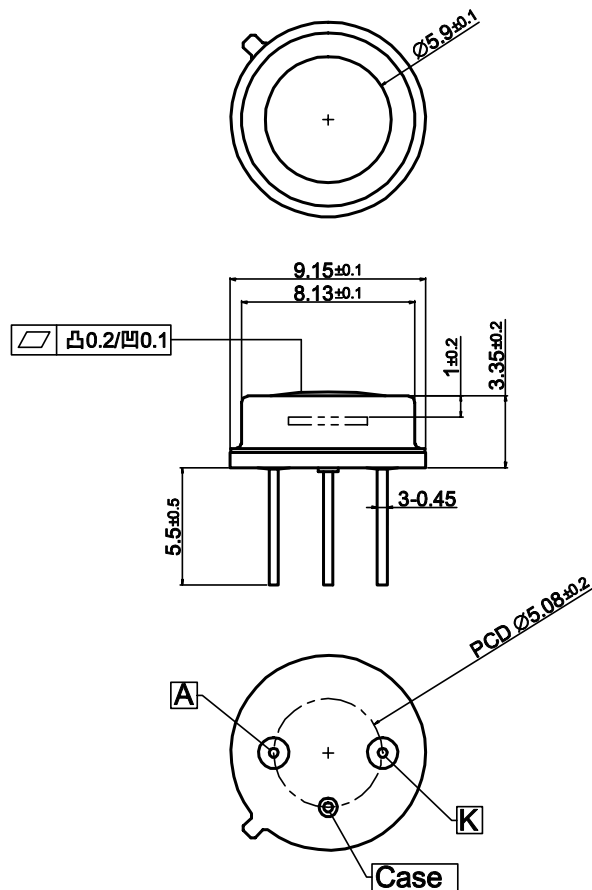
Drawings

Dimensions (unit: mm)

KPDE150-H45



KPDE300-H53



Specifications are subject to change without notice.

Contacts:

[www.kyosemi.co.jp](http://www.kyosemi.co.jp) / [info@kyosemi.co.jp](mailto:info@kyosemi.co.jp)

Kansai Sales Office: 949-2 Ebisu-cho, Fushimi-ku, Kyoto, 612-8201 Japan Tel: +81 75 605 7311 Fax: +81 75 605 7312 (Overseas Sales Dept.)  
 Tokyo Sales Office: 24<sup>th</sup> Sky Building, 2<sup>nd</sup> Floor, 1-34-3 Shinjuku, Shinjuku-ku, Tokyo 160-0022 Japan Tel: +81 3 5312 5360 Fax: +81 3 5312 5367  
 Eniwa Operation: 385-31 Toiso, Eniwa-shi, Hokkaido 061-1405 Japan Tel: +81 123 34 3111 Fax: +81 123 34 2110  
 Kyosemi Opto America Corp: 3003 Bunker Hill Lane, Suite 102, Santa Clara, CA 95054 USA Tel: +1 408 492 1486 Fax: +1 408 492 9843

[www.kyosemi-opto.com](http://www.kyosemi-opto.com)