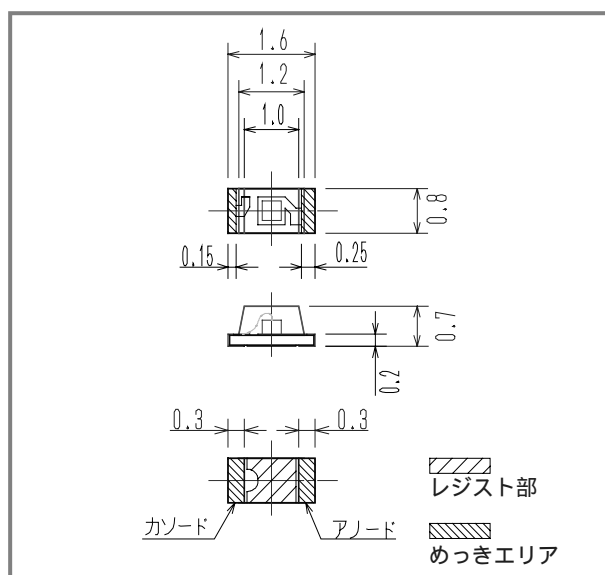


Features

- 660nm AlGaInP Red LED mounted compact package
- Transparent epoxy mold
- SMD type package

Applications

- Optical instruments

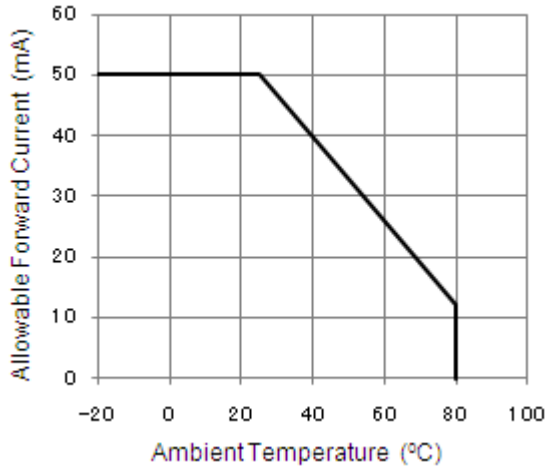
Dimensions (unit: mm)**Absolute Maximum Ratings**

| Parameter | Symbol | Value | Unit | Note |
|-----------------------|-----------|-------------|------------------|--|
| Forward current | I_F | 50 | mA | $T_a=25^\circ\text{C}$ |
| Peak forward current | I_{FP} | 0.5 | A | Pulse width=100 μs , Duty ratio=0.1% |
| Reverse voltage | V_R | 5 | V | |
| Power dissipation | P_D | 130 | mW | |
| Operating temperature | T_{opr} | -20 to +80 | $^\circ\text{C}$ | Avoid dew condensation |
| Storage temperature | T_{stg} | -25 to +100 | $^\circ\text{C}$ | Avoid dew condensation |

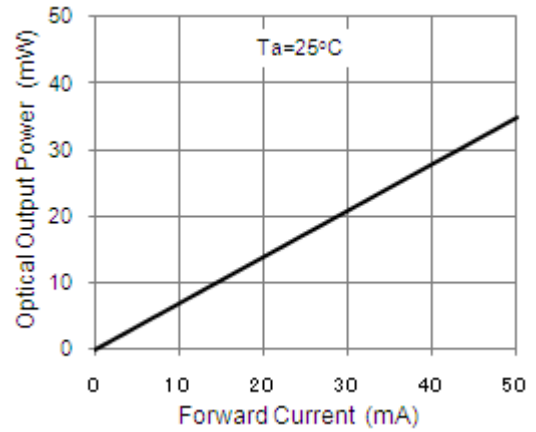
Electrical and Optical Characteristics ($T_a=25^\circ\text{C}$ unless otherwise noted)

| Parameter | Symbol | Min. | Typ. | Max | Unit | Test Conditions |
|---------------------------|-----------------|------|------|-----|---------------|-------------------|
| Forward voltage | V_F | - | 2.0 | 2.6 | V | $I_F=20\text{mA}$ |
| Reverse current | I_R | - | - | 10 | μA | $V_R=5\text{V}$ |
| Optical output power | P_o | - | 14 | - | mW | $I_F=20\text{mA}$ |
| Peak emission wavelength | λ_p | 650 | 660 | 670 | nm | $I_F=20\text{mA}$ |
| Spectral bandwidth at 50% | $\Delta\lambda$ | - | 20 | - | nm | $I_F=20\text{mA}$ |
| Half angle | 2θ | - | 145 | - | deg | $I_F=20\text{mA}$ |

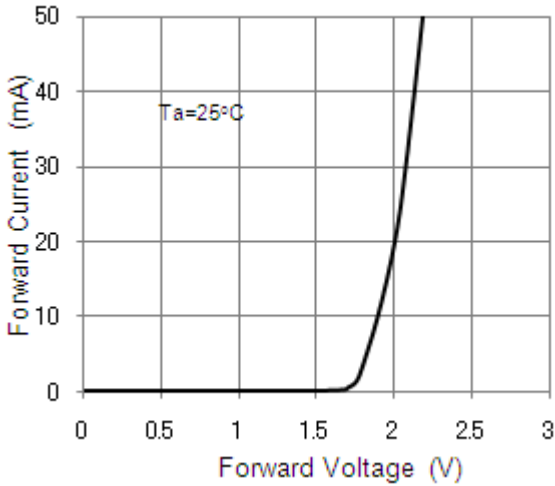
Allowable Forward Current – Ambient temperature



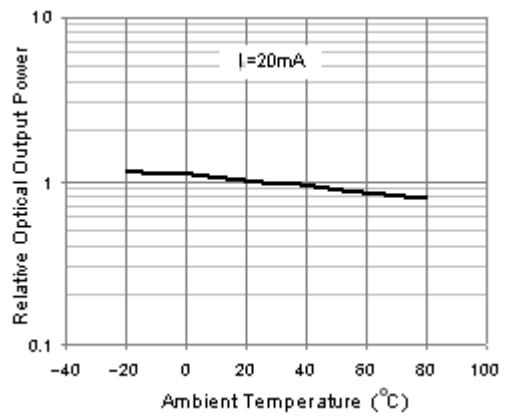
Optical Output Power – Forward Current (Ta=25°C)



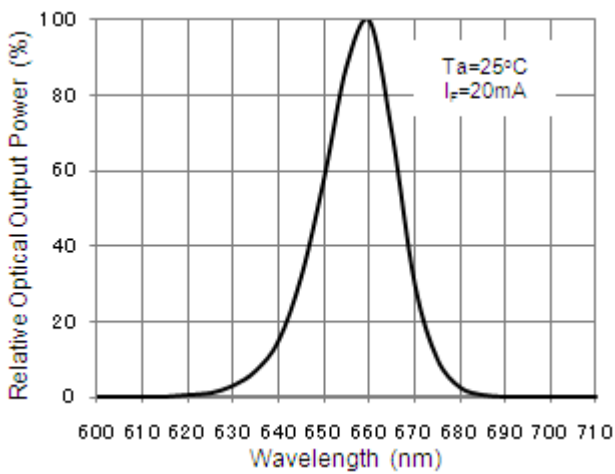
Forward Current – Forward Voltage (Ta=25°C)



Relative Optical Output Power – Ambient Temperature



Spectral Distribution (Ta=25°C, If=20mA)



Directivity (Ta=25°C)

