

# GaAIAs Parallel beam Infrared LED

## Features

- Parallel beam
- High output power
- Uniform light intensity distribution

## Applications

- Optical encoders
- Linear encoders
- Reflective sensors



## Specifications

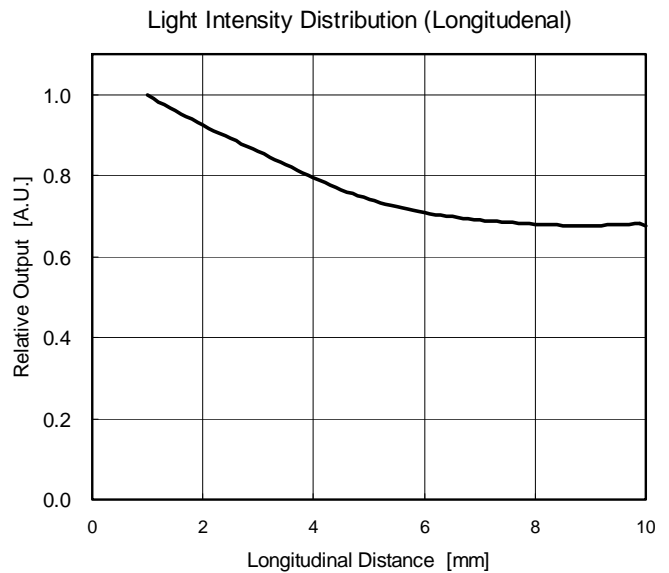
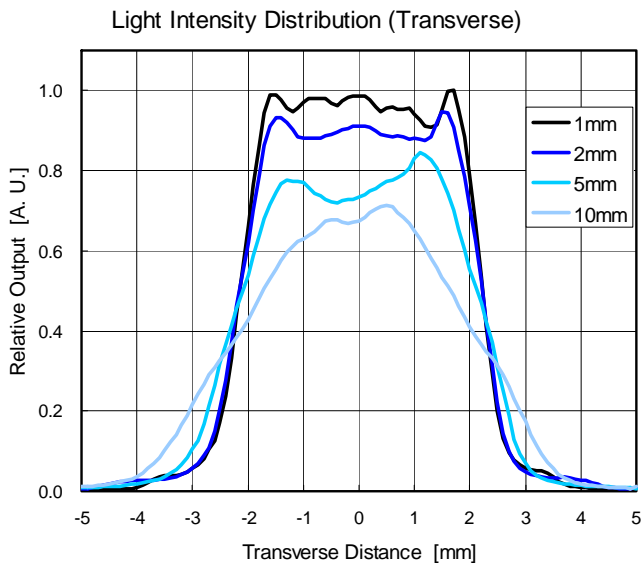
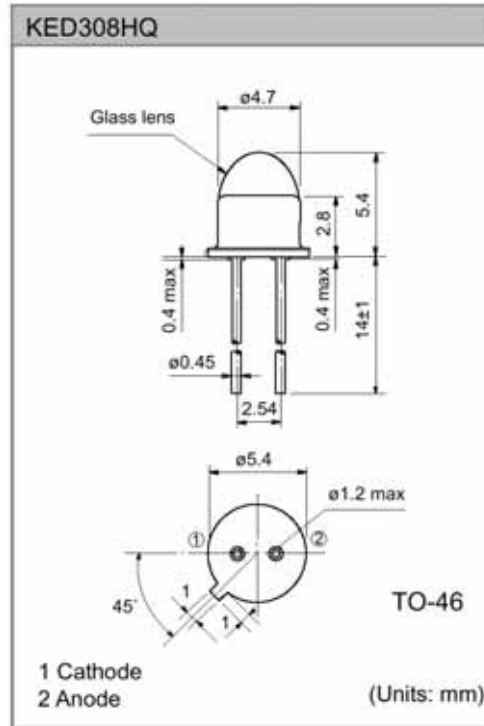
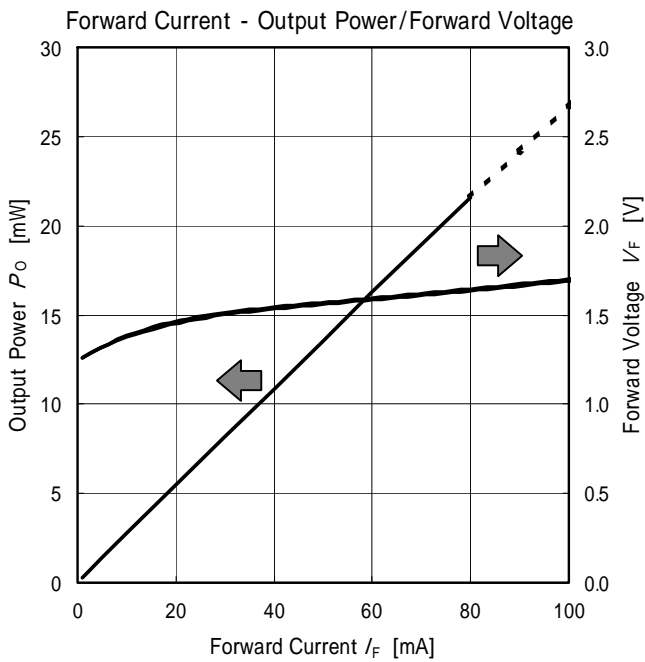
### Absolute Maximum Ratings

Item	Symbol	Value	Unit
Forward Current	$I_F$	80	mA
Reverse Voltage	$V_R$	5	V
Power Dissipation	$P_D$	140	mW
Operating Ambient Temperature	$T_{OP}$	-40 ~ +125	°C
Storage Temperature	$T_{STG}$	-40 ~ +125	°C

### Characteristics (Ta=25°C unless otherwise noted)

Parameter	Symbol	Min.	Typ.	Max.	Unit	Test conditions
Forward Voltage	$V_F$		1.6	2.0	V	$I_F = 50\text{mA}$
Reverse Current	$I_R$			10	μA	$V_R = 5\text{V}$
Optical Output Power	$P_O$		12		mW	$I_F = 50\text{mA}$
Peak Emission Wavelength	$\lambda_P$		870		nm	$I_F = 50\text{mA}$
Spectral Bandwidth	$\Delta\lambda$		50		nm	$I_F = 50\text{mA}$

Specifications are subject to change without notice.



## Kyosemi Corporation

Specifications are subject to change without notice.

### Sales Network

#### Tokyo Sales Office

24th Sky Building, 2nd Floor,  
1-34-3 Shinjuku, Shinjuku-ku,  
Tokyo 166-0022  
Phone +81-3-5312-5360  
FAX +81-3-5312-5367

#### Kansai Sales Office

Ebisucho, 949-2,  
Fushimiku, Kyoto 612-8201  
Phone +81-75-605-7311  
FAX +81-75-605-7312

#### Eniwa Operation

Toiso 385-31 Eniwa,  
Hokkaido 061-1405  
Phone +81-123-34-3111  
FAX +81-123-34-8823  
<http://www.kyosemi.co.jp>